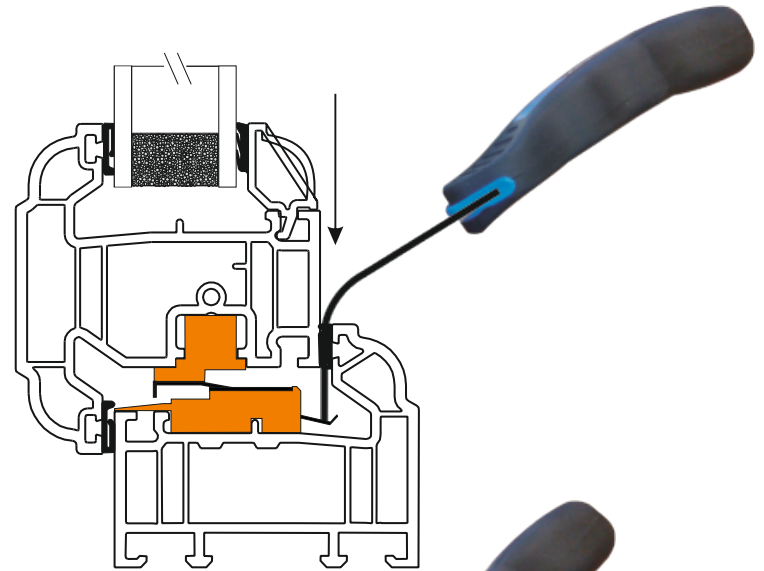
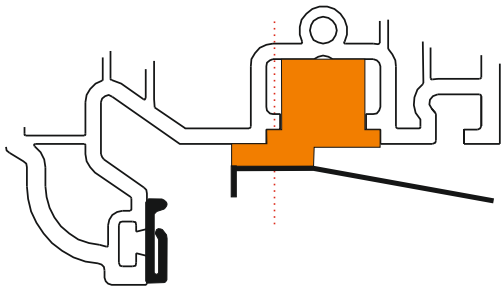
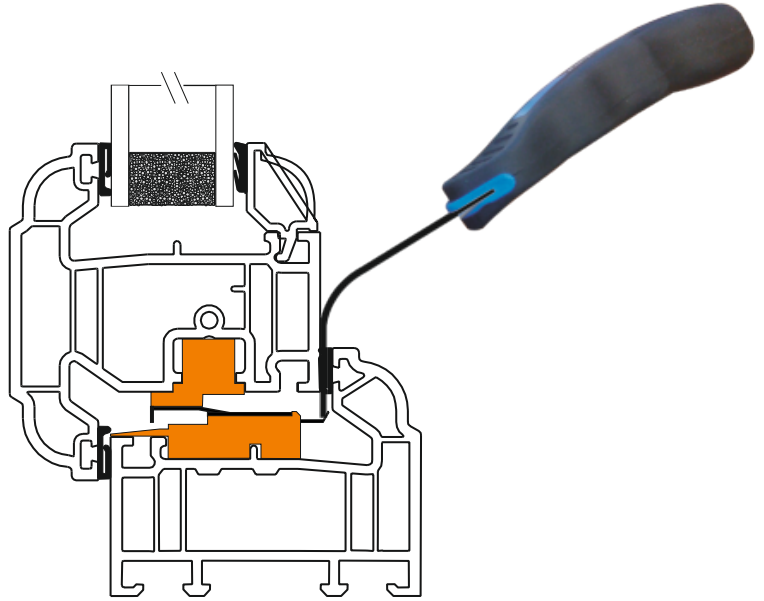
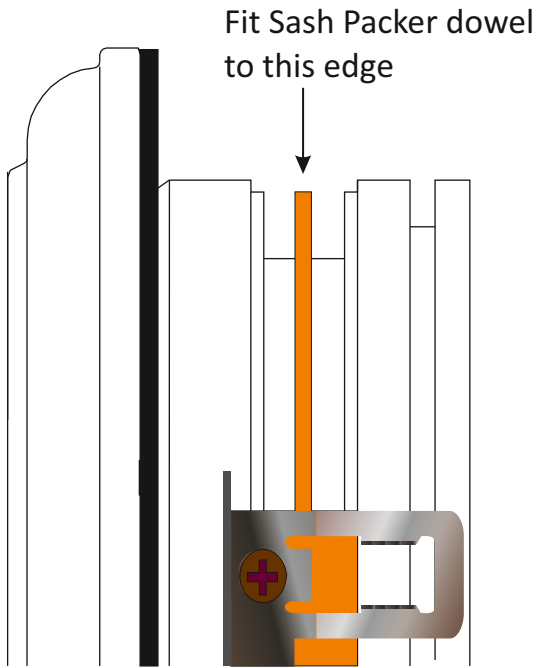
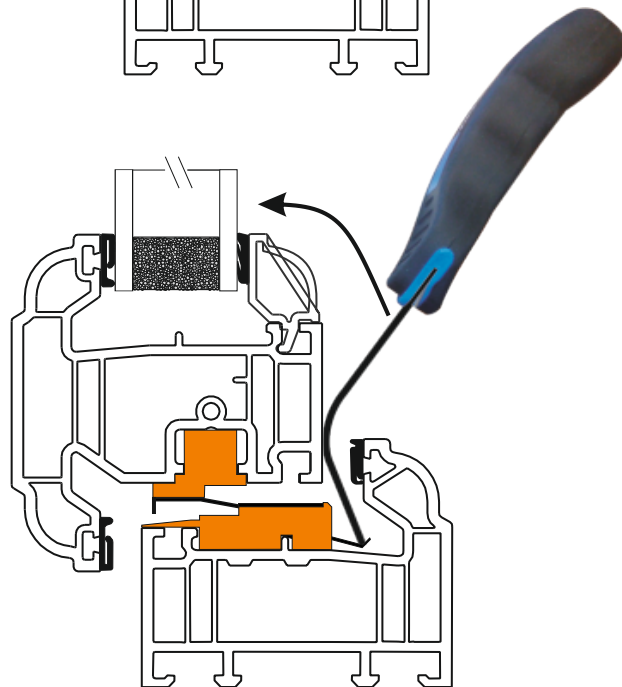
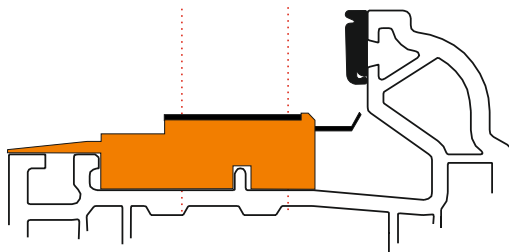


Halo Rustique

(Part No. DSP07B)



Screw centres



Drawings are not to scale
Reinforcing and fixing screws
have been omitted for clarity



Patent No. GB2445676B

